



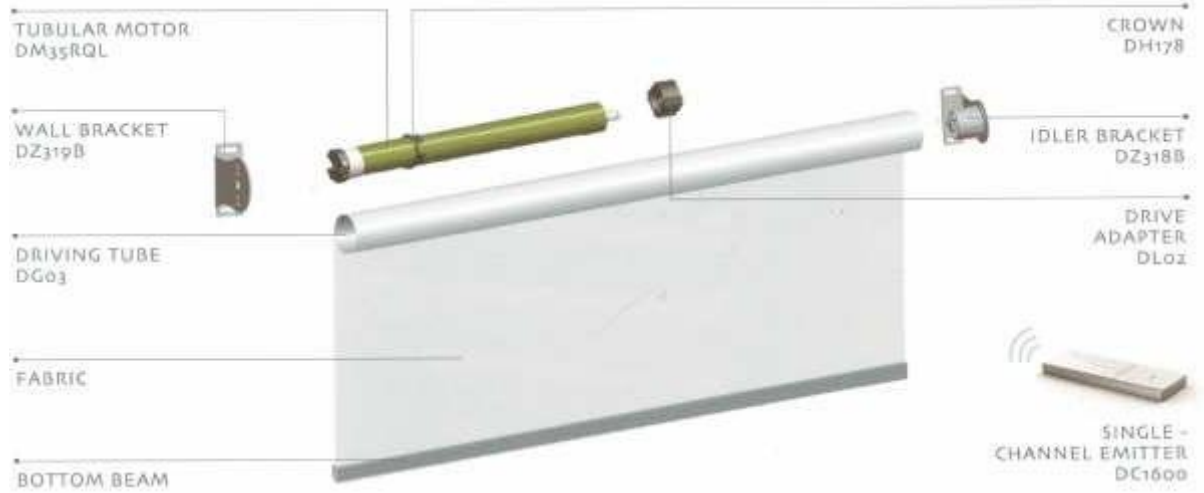
# DOOYA<sup>®</sup>

TUBULAR MOTOR

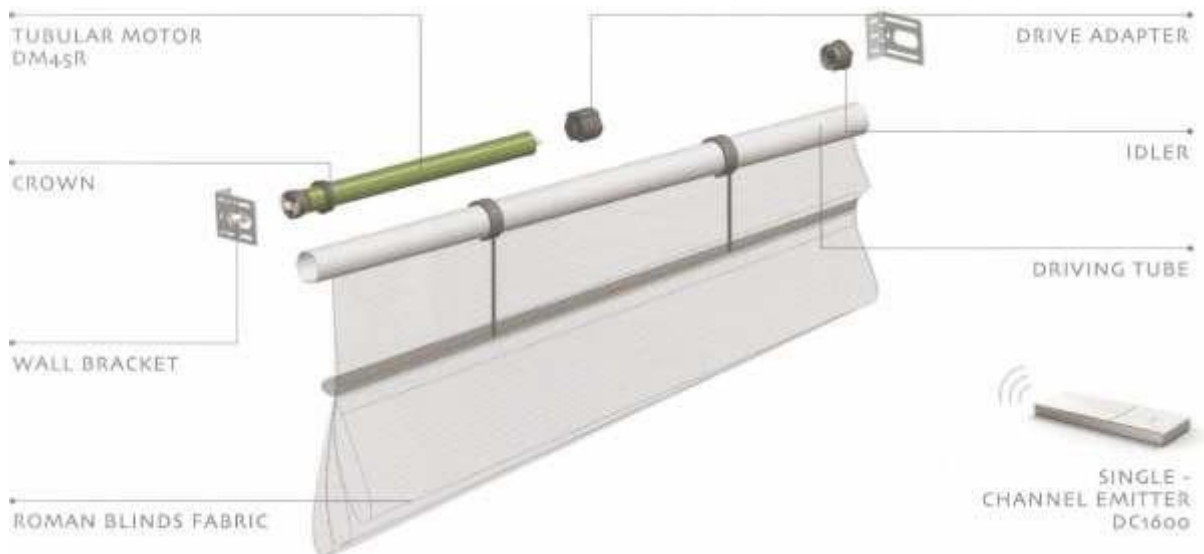




# MOTORIZED ROLLER BLINDS

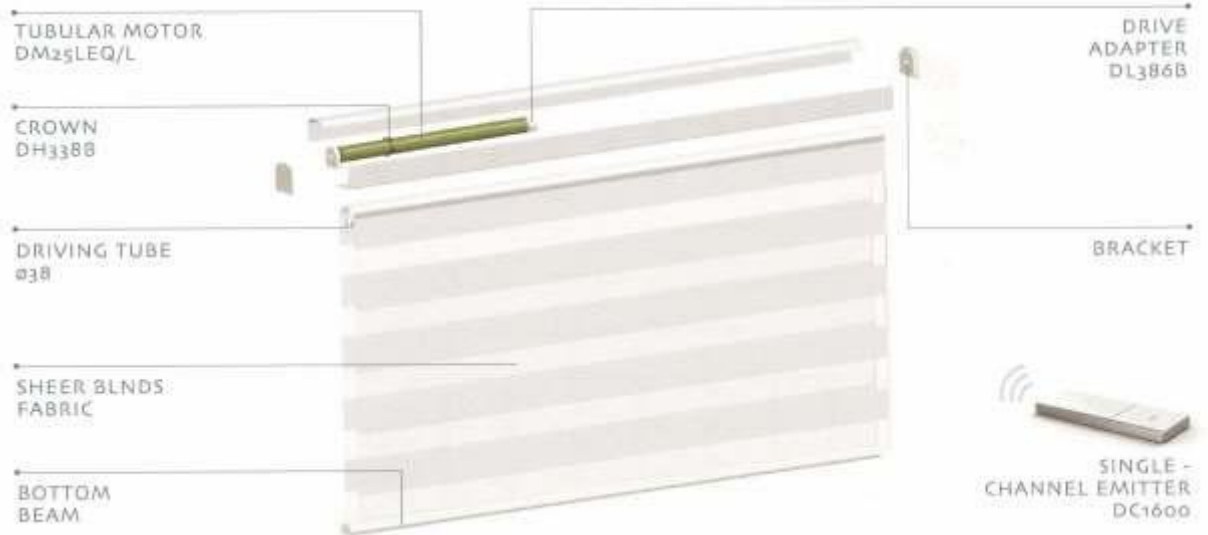


# MOTORIZED ROMAN BLINDS

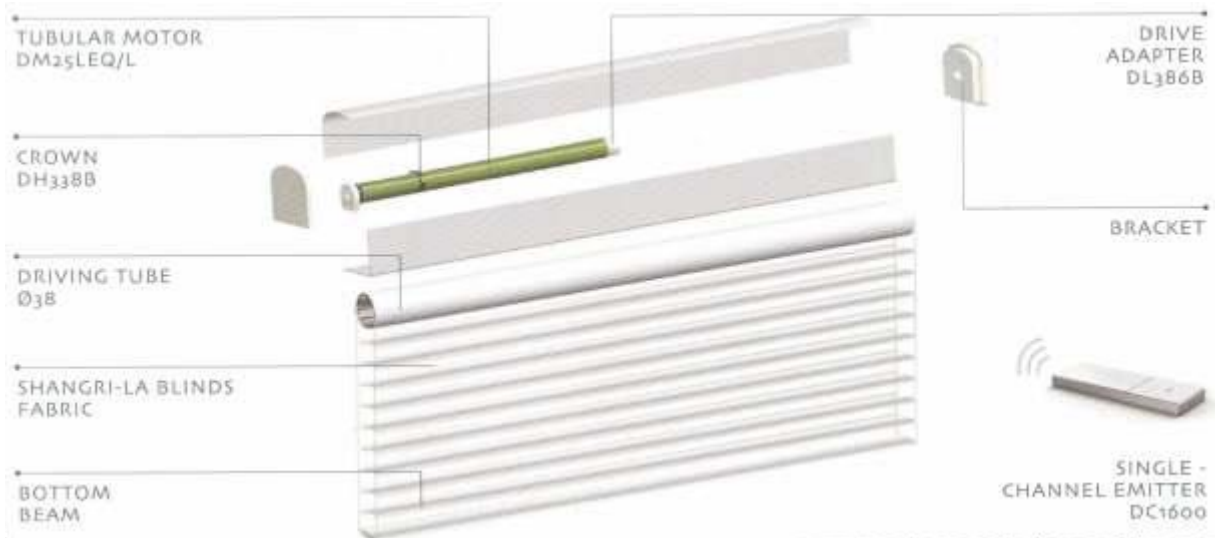




# MOTORIZED SHEER/ZEBRA BLINDS

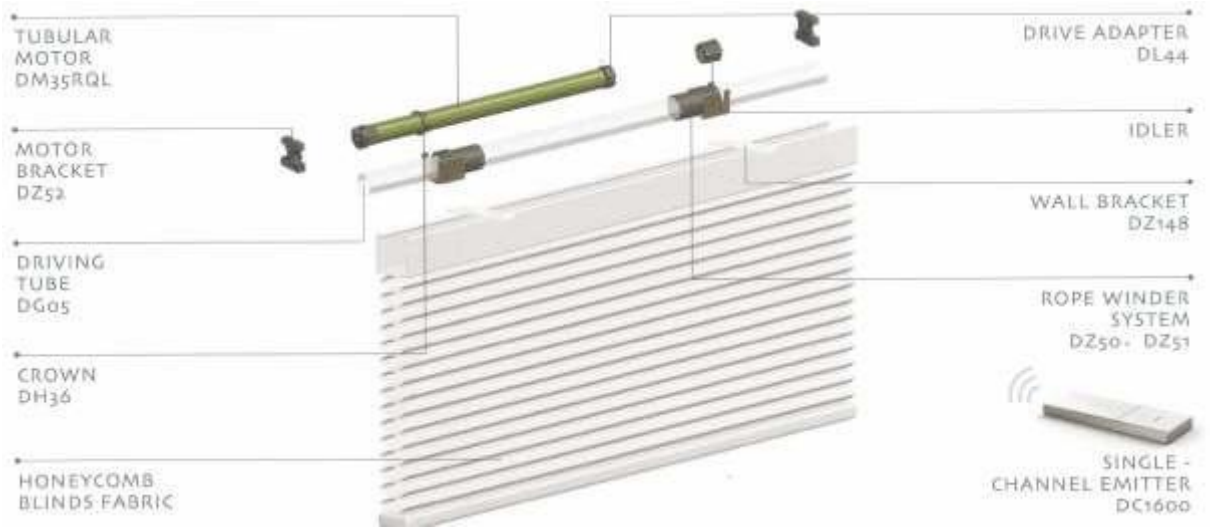


# MOTORIZED SHANGRI-LA BLINDS

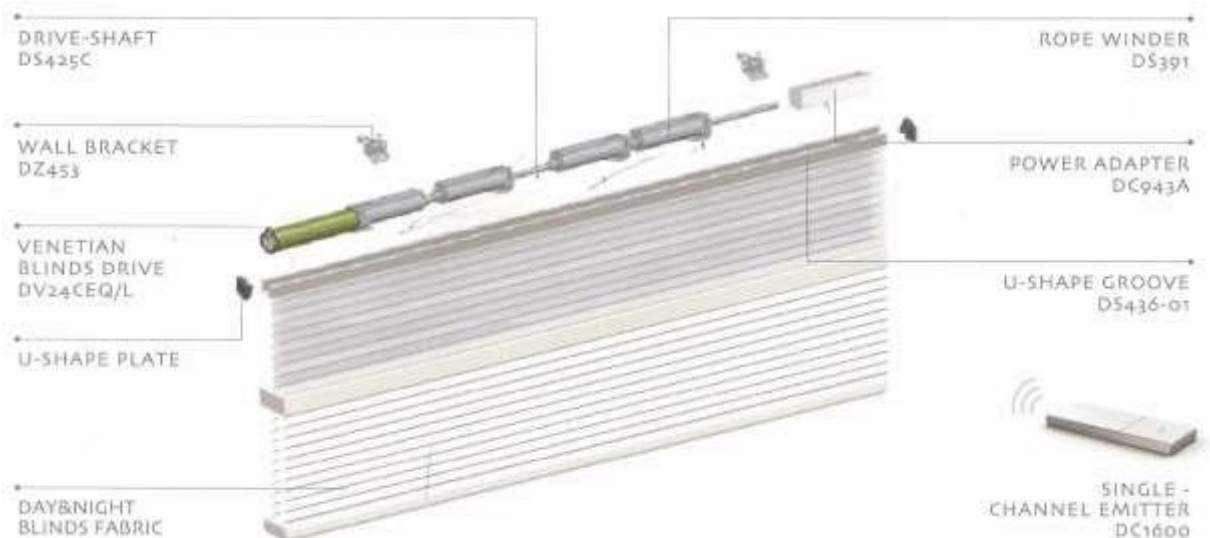




# MOTORIZED HONEYCOMB BLINDS

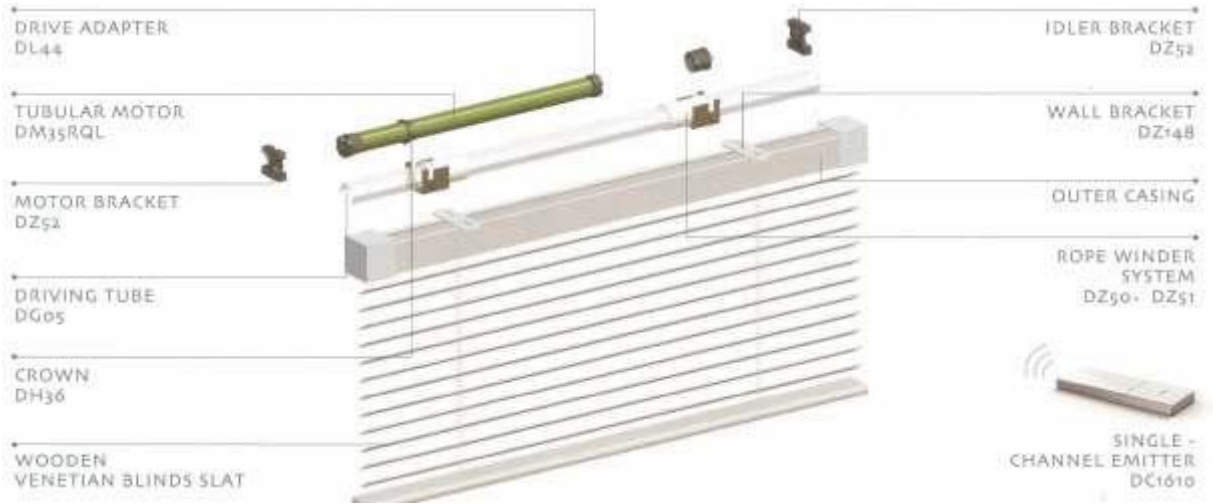


# MOTORIZED DAY & NIGHT BLINDS





# MOTORIZED WOODEN VENETIAN BLINDS



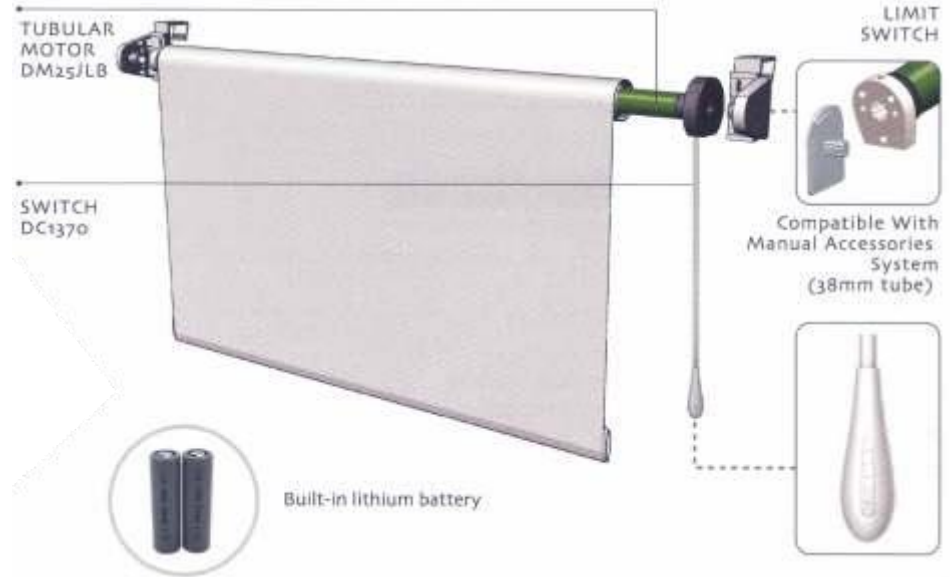
## TECHNICAL DATA FOR MOTORIZED ROLLER, ROMAN, ZEBRA, TRIPLE SHADE, HONEYCOMB & WOODEN VENETIAN BLINDS.

MOTORS	DM35-RL-6/28	DM35-SL-6/28	DM45-RQ-6/28	DM45-SL-10/26
<b>FEATURES</b>				
TORQUE (Nm)	6	6	6	10
RATED SPEED (Rpm)	28	28	28	26
RUNNING NOISE (db)	37	40	33	37
MAXIMUM LOAD (Kg)	14	14	14	24
MAXIMUM WIDTH (m)	2.5	2.5	2.5	2.5
MINIMUM WIDTH (m)	0.7	0.58	0.93	0.67
MAXIMUM HEIGHT (m)	6	6	8	8
MAXIMUM AREA (m2)	15	15	20	20
MOTOR DIAMETER (mm)	35	35	45	45
RATED VOLTAGE (V)	230	230	230	230
RATED POWER (W)	121	121	121	145
RATED CURRENT (A)	0.53	0.53	0.53	0.64
DEGREE OF PROTECTION (IP)	44	44	44	44
MAXIMUM LIMIT TURN (Turns)	36	36	44	45
MOTOR OVERALL LENGTH (mm)	605	485	835	575



# MOTORIZED ROLLER SYSTEMS

## SWITCH CONTROL MOTOR FOR ROLLER BLINDS



### DM25JLB

Electronic Limit, Switch Control, Integrated Battery



#### FEATURES:

- Electronic Limit
- Switching Direction
- Stall Protection
- Jog Mode
- Preferred Stop Position
- Program/Reset Button
- Restore Factory Defaults
- DC Power Supply
- Switch Wand Motor
- Solar Charging



Whisper Operation



Preferred Stop Position



Switch Wand Control

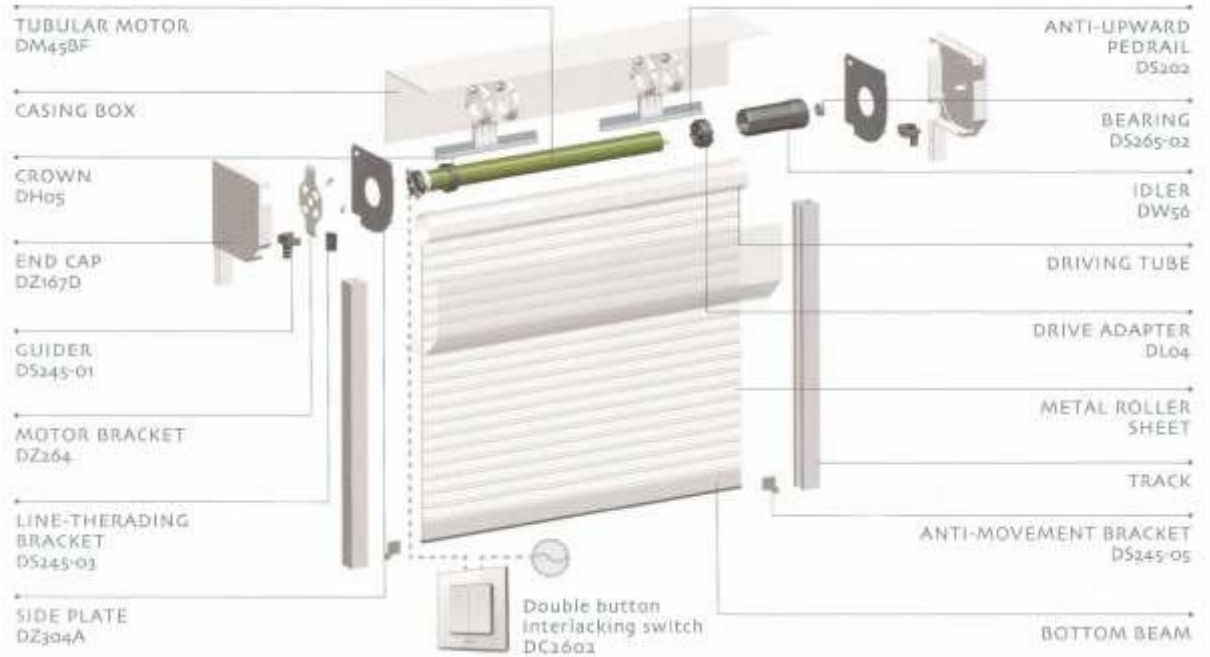


Micro-USB Charging

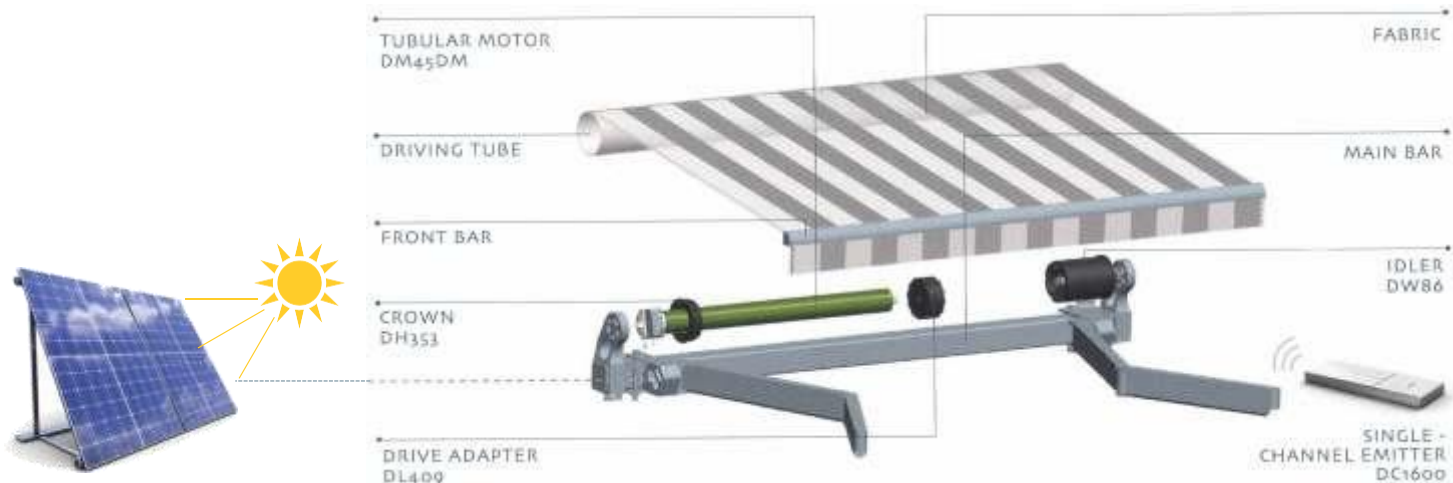
MOTORS 12V	DM18JLB-0.2/80	DM25/LB-1.1/40
RATED TORQUE (Nm)	0.2	1.1
RATED SPEED (Rpm)	80	40
RADIO FREQUENCY (MHZ)	/	/
RATED CURRENT (A)	0.42	0.87
RATED POWER (W)	5	10
DEGREE OF PROTECTION (IP)	IP44	IP44
MAXIMUM LIMIT TURN (turn)	∞	∞
RUNNING TIME (min)	>6	>6
WORKING TEMPERATURE (C)	-10C-50C	-10C-50C
L1/L2 (mm)	440/429	442/430



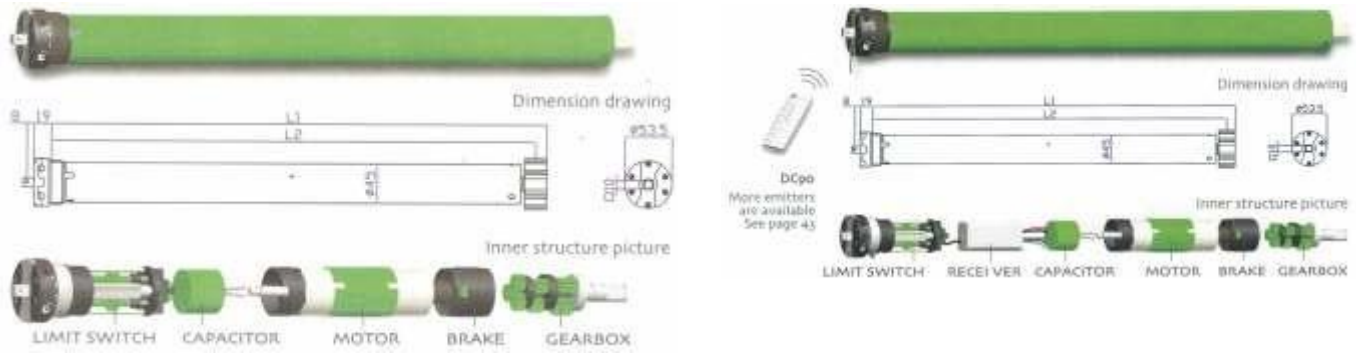
# MOTORIZED ROLLER SHUTTER



# MOTORIZED AWNING



# TECHNICAL DATA FOR MOTORIZED ROLLER SHUTTER & AWNING



## DM45S

MOTORS 230V/50Hz Standard	DM45S 10/15	DM45S 10/26	DM45S 20/15	DM45S 20/26	DM45S 30/15	DM45S 40/15	DM45S 50/12	DM45S 60/8
RATED TORQUE (Nm)	10	10	20	20	30	40	50	60
RATED SPEED (rpm)	15	26	15	26	15	15	12	8
TUBE DIAMETER (mm)	45	45	45	45	45	45	45	45
RATED VOLTAGE (V)	230	230	230	230	230	230	230	230
RATED FREQUENCY (Hz)	50	50	50	50	50	50	50	50
RATED POWER INPUT (W)	112	145	145	170	191	198	205	208
RATED CURRENT (A)	0.49	0.64	0.64	0.77	0.83	0.86	0.89	0.92
RUNNING TIME (min)	4	4	4	4	4	4	4	4
DEGREE OF PROTECTION (IP)	IP44	IP44	IP44	IP44	IP44	IP44	IP44	IP44
MAX NUMBER OF TURN (turn)	22	45	22	45	22	22	22	22
L1/L2 (mm)	467/449	467/449	467/449	537/519	537/519	537/519	537/519	537/519

## DM45R

MOTORS 230V/50Hz Radio	DM45R 10/15	DM45R 10/26	DM45R 20/15	DM45R 20/26	DM45R 30/15	DM45R 40/15	DM45R 50/12	DM45R 60/8
RATED TORQUE (Nm)	10	10	20	20	30	40	50	60
RATED SPEED (rpm)	15	26	15	26	15	15	12	8
TUBE DIAMETER (mm)	45	45	45	45	45	45	45	45
RATED VOLTAGE (V)	230	230	230	230	230	230	230	230
RATED FREQUENCY (Hz)	50	50	50	50	50	50	50	50
RATED POWER INPUT (W)	112	145	145	170	191	198	205	208
RATED CURRENT (A)	0.49	0.64	0.64	0.77	0.83	0.86	0.89	0.92
RUNNING TIME (min)	4	4	4	4	4	4	4	4
DEGREE OF PROTECTION (IP)	IP44	IP44	IP44	IP44	IP44	IP44	IP44	IP44
MAX NUMBER OF TURN (turn)	22	45	22	45	22	22	22	22
L1/L2 (mm)	607/589	607/589	607/589	637/619	637/619	637/619	637/619	637/619

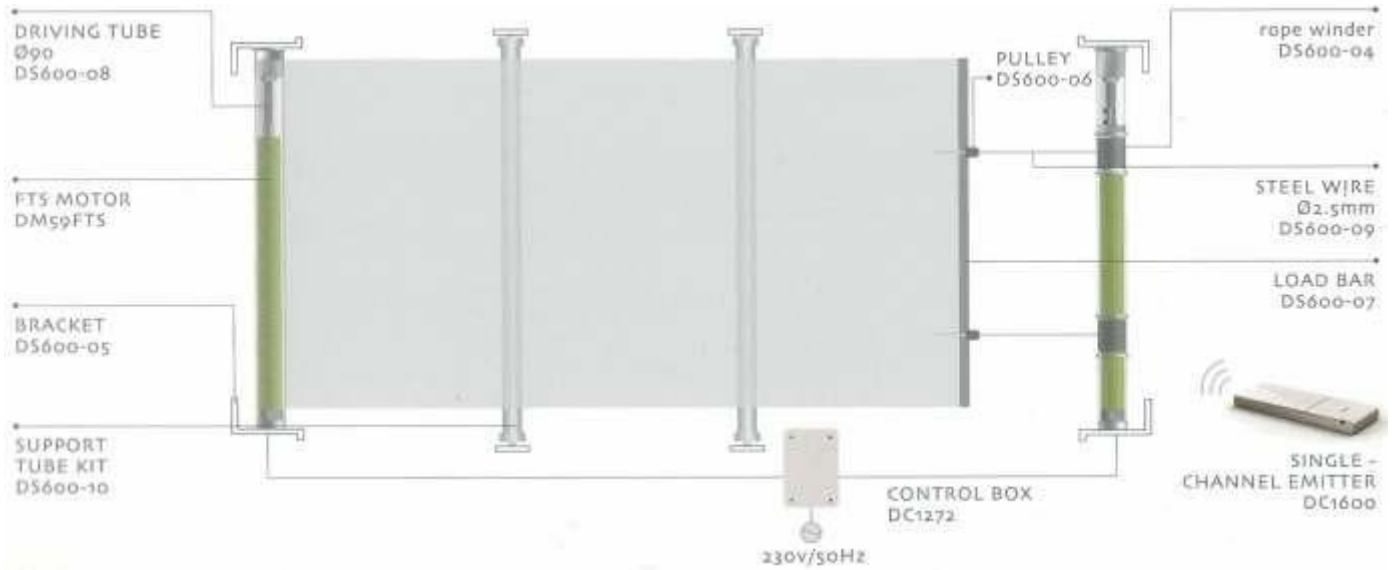
## DM59S & DM59R

MOTORS 230V/50Hz Standard & Radio	DM59S 60/15	DM59S 80/15	DM59S 100/9	DM59S 120/9	DM59R 60/15	DM59R 80/15	DM59R 100/9	DM59R 120/9
RATED TORQUE (Nm)	60	80	100	120	60	80	100	120
RATED SPEED (Rpm)	15	15	9	9	15	15	9	9
TUBE DIAMETER (mm)	59	59	59	59	59	59	59	59
RATED VOLTAGE (V)	230	230	230	230	230	230	230	230
RATED FREQUENCY (Hz)	50	50	50	50	50	50	50	50
RATED POWER INPUT (W)	310	330	340	350	310	330	340	350
RATED CURRENT (A)	1.35	1.43	1.52	1.56	1.35	1.43	1.52	1.56
RUNNING TIME (min)	4	4	4	4	4	4	4	4
DEGREE OF PROTECTION (IP)	IP44	IP44	IP44	IP44	IP44	IP44	IP44	IP44
MAX NUMBER OF TURN (Turn)	22	22	22	22	22	22	22	22
L1/L2 (mm)	599/584	599/584	599/584	599/584	768/753	768/753	768/753	768/753





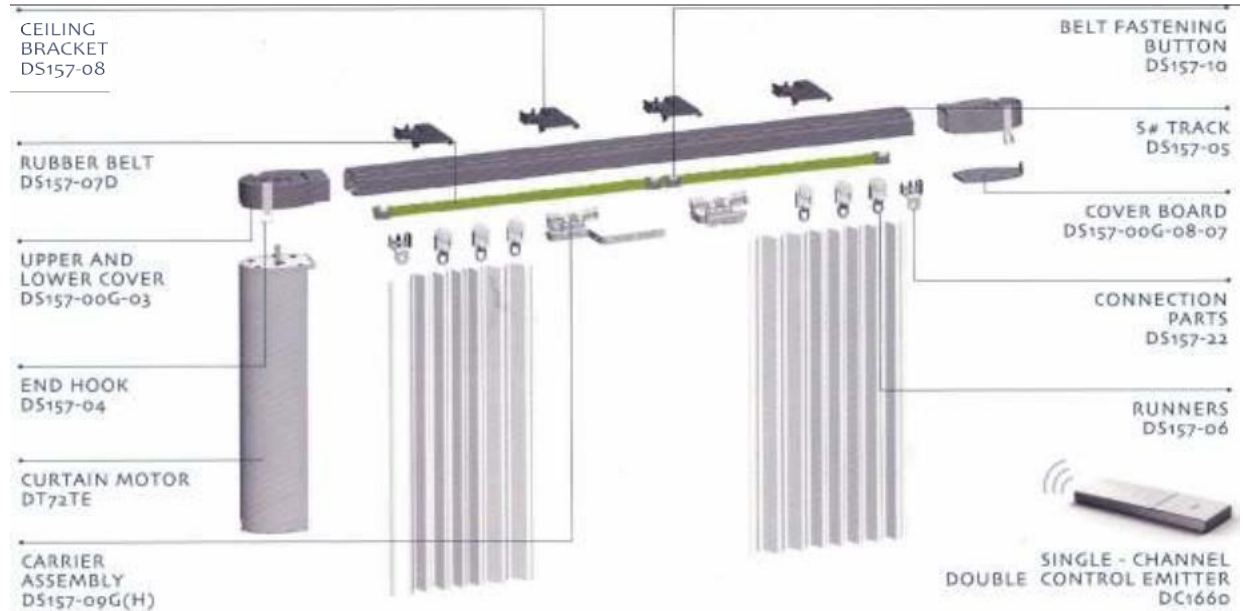
# MOTORIZED SKYLIGHT SHADES



MOTORS	DM59FTS-60/75	DM35FTS-10/17	DM45FTS-50/12
<b>FEATURES</b>			
RATED TORQUE (Nm)	60	10	50
RATED SPEED (Rpm)	15	17	12
RATED FREQUENCY (MHz)	433	433	433
MINIMUM WIDTH (m)	0.9	0.8	0.9
MAXIMUM WIDTH (m)	2.5	6	6
MAXIMUM HEIGHT (m)	30	7	7
MAXIMUM AREA (m <sup>2</sup> )	75	13	20
TUBE DIAMETER (mm)	59	35	45
RATED VOLTAGE (V)	230	230	230
RATED CURRENT (A)	1.35	0.8	1.1
RATED POWER (W)	310	185	250
THERMAL PROTECTION TIME (min)	15	8	10
DEGREE OF PROTECTION (IP)	44	44	44
MAXIMUM LIMIT TURN (Turn)	70	30	50
MOTOR OVERALL LENGTH (mm)	677	570	625



# MOTORIZED CURTAIN



## BUILT-IN RADIO RECEIVER

The Dooya curtain motor unit also come with a built-in radio receiver (optional) that is compatible with the range of Dooya's radio switch. Curtains can be controlled individually or group.

## RESISTANCE AND STOP FUNCTION

When you use hand to pull the opening or closing curtain, the curtain will automatically stop if meet resistance.

## ELECTRONIC LIMIT

No need to set the open limit or close limit of curtain, curtain will automatically stop if meet resistance after fully open or fully closed.

## POWER AND QUIET MOTOR

The newly developed Dooya AC Motors boasts of whispering quietness and remarkable operating power. It can drive a two-way drawn curtain of 100kg. The motor until is very light weight only 1.1Kg.

## TOUCH-START

If pull the curtain to one direction, the curtain runs automatically, then stop until fully opened or fully closed.

## LONG LIFETIME, DURABLE IN USE

Our company uses high strength synchronous belt with anti-aging and acid-resistance function.

MOTORS 230V/50Hz	DT52E-45/20	DT52E-75/20	DT52S-45/20	DT52S-75/20
RATED INPUT POWER (W)	45	75	45	75
OPEN / CLOSE SPEED (cm/sec)	20	20	20	20
SAFETY CURTAIN WEIGHT (kg.)	50	100	50	100
RATED CURRENT (A)	0.23	0.34	0.23	0.34
RUNNING TIME (min)	4	4	4	4
PROTECTION CLASS (IP)	20	20	20	20
MAXIMUM RANGE OF REVOLUTIONS (tern)	∞	∞	∞	∞
TRACK LENGTH (m)	≤12	≤12	≤12	≤12
WEIGHT (KG.)	1.10	1.10	1.10	1.10
LENGTH (mm)	246	246	246	246

# CONTROL SYSTEMS

## Remotes

**DC1600**  
Single - channel emitter



- ◆ Power Supply: 1 X 3V battery CR2450, Service life of battery: >2 Years
- ◆ Control distance: 200 meters outdoor 35 meters indoor
- ◆ Transmit Frequency: 433.92MHz ± 100KHz
- ◆ Dimension: 130mmX44mmX10.5mm

**DC1602**  
15 - channel LED emitter



- ◆ Real-time clock display
- ◆ Power supply: 1X3V battery CR2450, service life of battery:>2 Years
- ◆ Control distance: 200 meters outdoor 35 meters indoor
- ◆ Transmit Frequency: 433.92MHz ± 100KHz
- ◆ Dimension: 130mmX44mmX10.5mm

**DC313**  
15 - channel emitter



- ◆ Power Supply: 1 X 3V battery CR2430, Service life of battery:>2 Years
- ◆ Control distance: 200 meters outdoor 35 meters indoor
- ◆ Transmit Frequency: 433.92MHz ± 100KHz
- ◆ Working temperature: 0°C + 50°C
- ◆ Dimension: 123.5mmX49mm

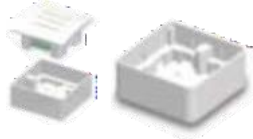
**DC251**  
5 - channel emitter



- ◆ Power Supply: 1 X 12V battery 27A Service life of battery: >2 Years
- ◆ Control distance: 200 meters outdoor 35 meters indoor
- ◆ Transmit Frequency: 433.92MHz ± 100KHz
- ◆ Working temperature: 0°C + 50°C
- ◆ Dimension: 120mmX40mmX13mm

## Receivers

**DC 68**  
Case Box



**DC41**  
Single Channel Receiver



**DC42**  
Double Channel Receiver



**Mechanical Switch**



**DC25**  
Single Manual Switch

**DC154**  
Multi - Function  
Single Receiver



**DC161**  
4 in 1 Wireless Receiver



**DC138**  
Single Receiver

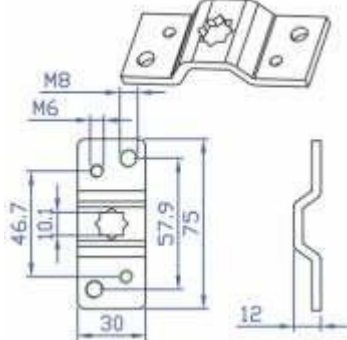


**DC246**  
Bus Sub-Control  
Single Channel Switch  
(Electronic)

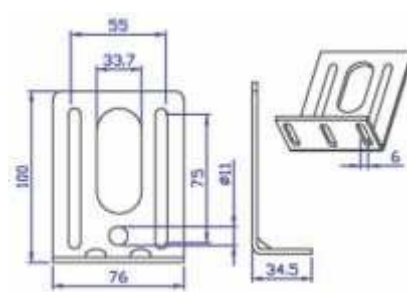


## Brackets

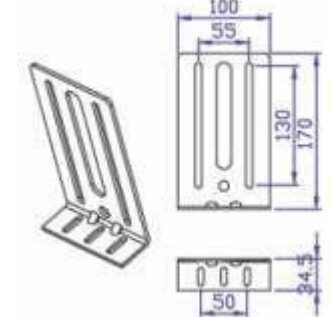
**DZ04x1**  
Aciform Bracket



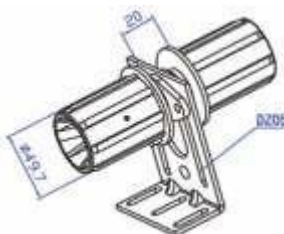
**DZ05x2**  
Motor Bracket



**DZ053x2**  
Motor Bracket

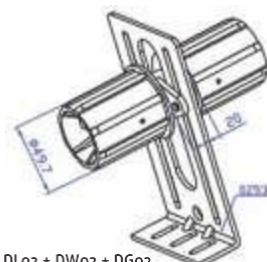


**DZ11**  
180° Middle Support Bracket



DH100 + DL02 + DW02 + DG03

**DZ93**  
180° Middle Support Bracket



DH100 + DL02 + DW02 + DG03

**DZ46**  
90° Middle Support Bracket



DH100 + DL02 + DW02 + DG03



783 - 8072 - 505  
999 - 9720 - 930



[www.alisanmart.in](http://www.alisanmart.in)  
[www.alisan.co.in](http://www.alisan.co.in)



[support@alisan.co.in](mailto:support@alisan.co.in)  
[alisansmarthomes@gmail.com](mailto:alisansmarthomes@gmail.com)

203, Ganpati Heights, Mata Road, Near Bus  
Stand Workshop, Gurugaon - 122001

7, Sehwat Complex, Near Hanuman  
Mandir, MG Road, Sukhrali, Gurgaon -  
122001